

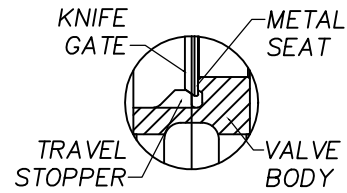
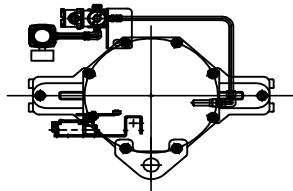


# VALVE DATA SHEET

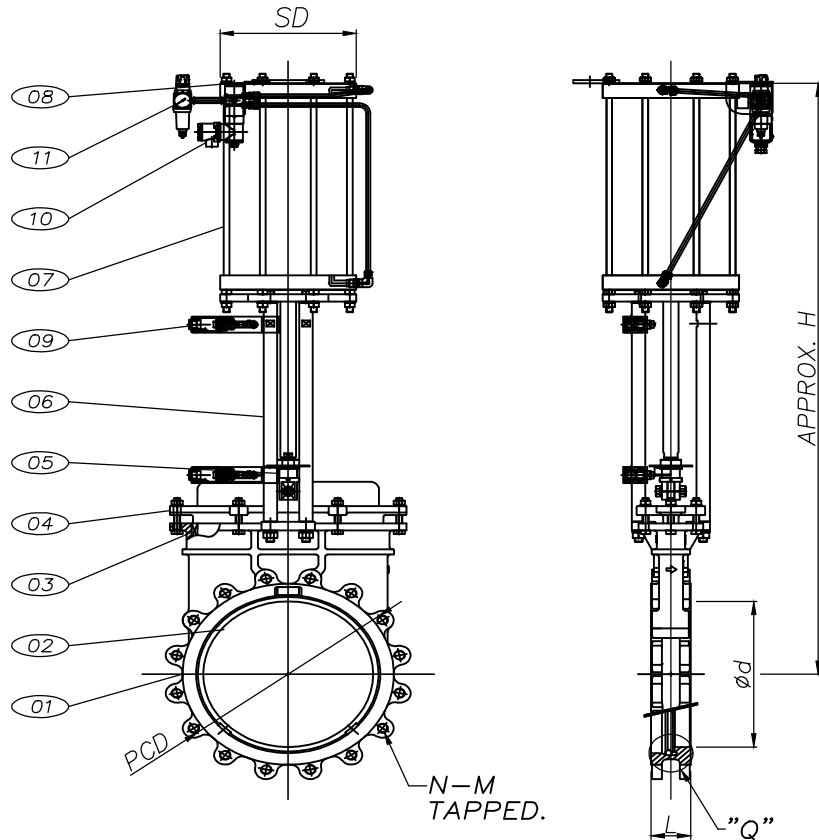
Project	포스코 포항		
Item	Pneumatic On-Off Knife Gate Valve	Sheet No.	1 OF 1
Service		P&ID No.	
Tag. No.		MFG. No.	
Model No.	YACG-312K1	Q'ty (Set)	1

SERVICE CONDITIONS	1	Medium	연필 아주 고운 가루			ACTUATOR	46	Actuator Type	Double Acting Cylinder		
	2		Max. Q	Nor. Q	Min. Q		47	Model No.	C-250D		
	3	Flow Rate	kg/hr				48	Close At (bar G)	Open At (bar G)	4.0	4.0
	4	Inlet Pressure	kgf/cm <sup>2</sup> G				49	Fail Position	Fail Last		
	5	Outlet Pressure	kgf/cm <sup>2</sup> G				50	Hand-Wheel (Type / Location)	-		
	6	Differential Pressure	kgf/cm <sup>2</sup>				51	Painting Color (RAL No.)	-		
	7	Inlet Temperature	℃				52	Painting Type	-		
	8	Specific Gravity	G				I / P POSITIONER	53	Input Signal (mA DC)	-	
	9	Density	kg/m <sup>3</sup>					54	Output Pressure (bar G)	-	
	10	Molecular Weight	M.W					55	Type	-	
	11	Viscosity	cPs					56	Enclosure	-	
	12	Predicted SPL	dBA					57	Model No.	-	
	13	Calculated Cv						59	MFG.	-	
	14	Opening Lift	%					POSITION TRANSMITTER	59	Output (mA DC)	-
	15						60		Type	-	
	16						61		Model No.	-	
DESIGN	17	Shut Off ΔP				SOLENOID VALVE	62	Power	DC24V		
	18	Design Pressure					63	Type	5/2-Way		
	19	Design Temp.					64	Enclosure	IP-66		
LINE	20	Inlet Pipe Size (A) / Sch. No.	400			65	Model No.	ESV-S-D24			
	21	Outlet Pipe Size (A) / Sch. No.	400			66	MFG.	PG			
BODY & TRIM	22	Body Type	Knife Gate			LIMIT SWITCH	67	Quantity	Close/Open		
	23	Body Size (A)	Port Size (A)	400	400		68	Type	SPDT		
	24	Trim Design	Guide	-	-		69	Enclosure	IP-67		
	25	Trim Type	Trim Seal Ring	-	-		70	Model No.	SZL-WLC-B		
	26	Rating & End Connection	JIS B 2220 RF & LUG				71	MFG.	Honeywell		
	27	Flange Facing				AIR SET	72	Air Supply Pressure (bar G)	4.0		
	28		Body	SCS13			73	Model No.	AR-1301		
	29		Gate	SUS304		ACCESSORY	74	Lock-Up Valve	-		
	30	Material	Seat	Metal			75	Volume Booster	-		
	31		Stem / Knuckle	SUS304			76	Snap Acting Relay	-		
	32		Packing	PTFE Fiber			77	Check Valve	-		
	33		Bonnet Type	-			78	Air-Operated Valve	-		
	34	Trim Form	Linear				79	Exhaust Valve	-		
	35	Max.Allow Sound Level (dBA)	-				80	Speed-Controller	-		
	36	Leakage Class	MSS SP-81				81				
	37	Rated Cv	-				82				
	38	Stroke (mm)	-				83				
	39	Flow Action To	-			84					
	40	Painting Color (RAL No.)	-			85					
	41	Painting Type	-			MISCELLANEOUS	86	Conduit Connection	Air Supply	PT.F 1/4"	
	42						87		Electrical	PF.F 1/2"	
	43						88	Water Seal	-		
	44						89	Tubing Material	-		
	45						90	Weight (kg)	-		

NOTE									
0	2024-01-26	For Quotation			E. Y. J	H. S. L	S. S. H		
No.	Date	Revision			Prepared By	Checked By	Approved By		



DETAIL "Q"



FLOW DIRECTION  
 PROCESS DIRECTION

- Tag No. : -

- PRESSURE RATING : 150 psi , 10.3 bar
- FLANGE DIMENSION : JIS B 2220 RF & LUGGED.
- FACE TO FACE : MSS SP-81
- OTHER DIMENSION : MAKER STANDARD
- SEAT TYPE : METAL SEAT
- TEST INSPECTION : MSS SP-81

-NOTES

1. ALL DIMENSIONS ARE IN MILLIMETERS, EXCEPT IN ( ) ARE IN INCHES.
2. ALL DIMENSIONS WITHOUT STATED TOLERANCES ARE FOR REFERENCE ONLY.

11	Air Set	ASSEMBLY	
10	Solenoid Valve	ASSEMBLY	
9	Limit Switch	ASSEMBLY	
8	Hooking Plate	SS400	
7	Pneu. Cylinder	ASSEMBLY	
6	Stanchion	SUS304	
5	Connector	SCS13	
4	Gland	SCS13	
3	Packing	PTFE FIBER	
2	Knife	SUS304	
1	Body	SCS13	

No.	Name Of Parts	Material	Remark
-----	---------------	----------	--------

Model No.	YACG-312K1	Size	400A
-----------	------------	------	------

DWG. Name Pneumatic On-Off Knife Gate Valve

DRAW'N	M.J Park	APP'D	J.S Noh
--------	----------	-------	---------

Date	2024.01.26
------	------------

**PROVAL** PROVAL Co.,Ltd.

Rev.	0
------	---

Sheet No.	1 of 1
-----------	--------

- DIMENSION TABLE

UNIT : mm

SIZE	L	PCD	N	M	ød	H	SD
400A(16")	89	510	16	M24	382	1551	306